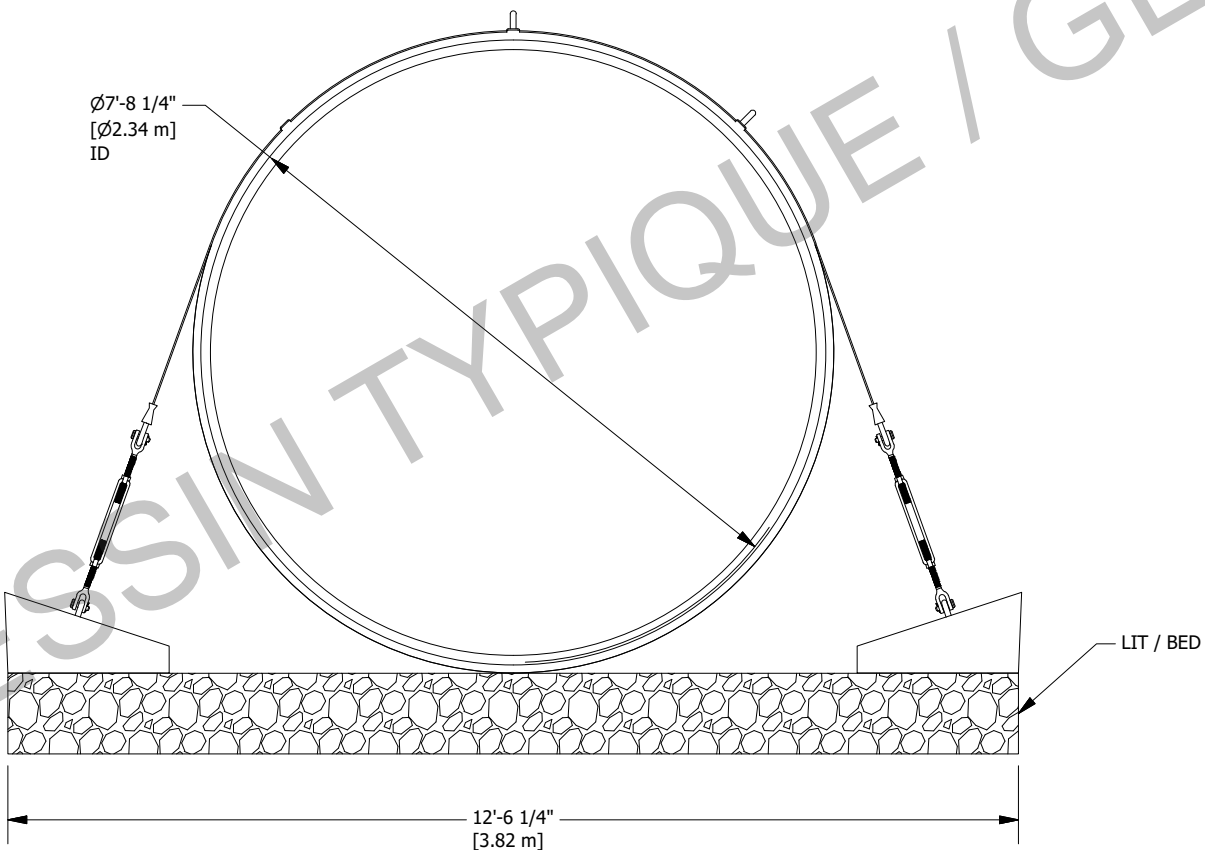
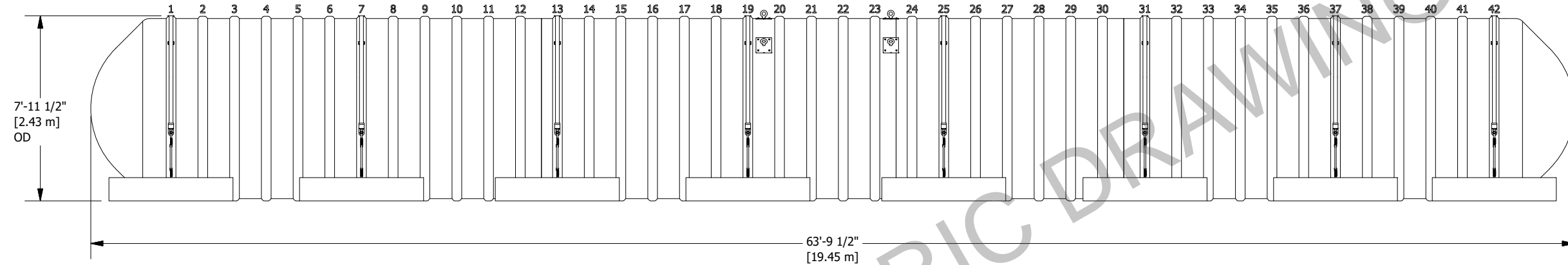


NN08420806

RÉSERVOIR DE FIBRE DE VERRE / FIBERGLASS TANK



NOTES :

- DESSIN POUR RÉFÉRENCE SEULEMENT / GENERIC DRAWING FOR REFERENCE ONLY
- DESSIN D'ATELIER DISPONIBLE SUR DEMANDE / SHOP DRAWING AVAILABLE ON REQUEST

Ancrage optionel selon les conditions du terrain / Optional anchoring depending on the tank's environment

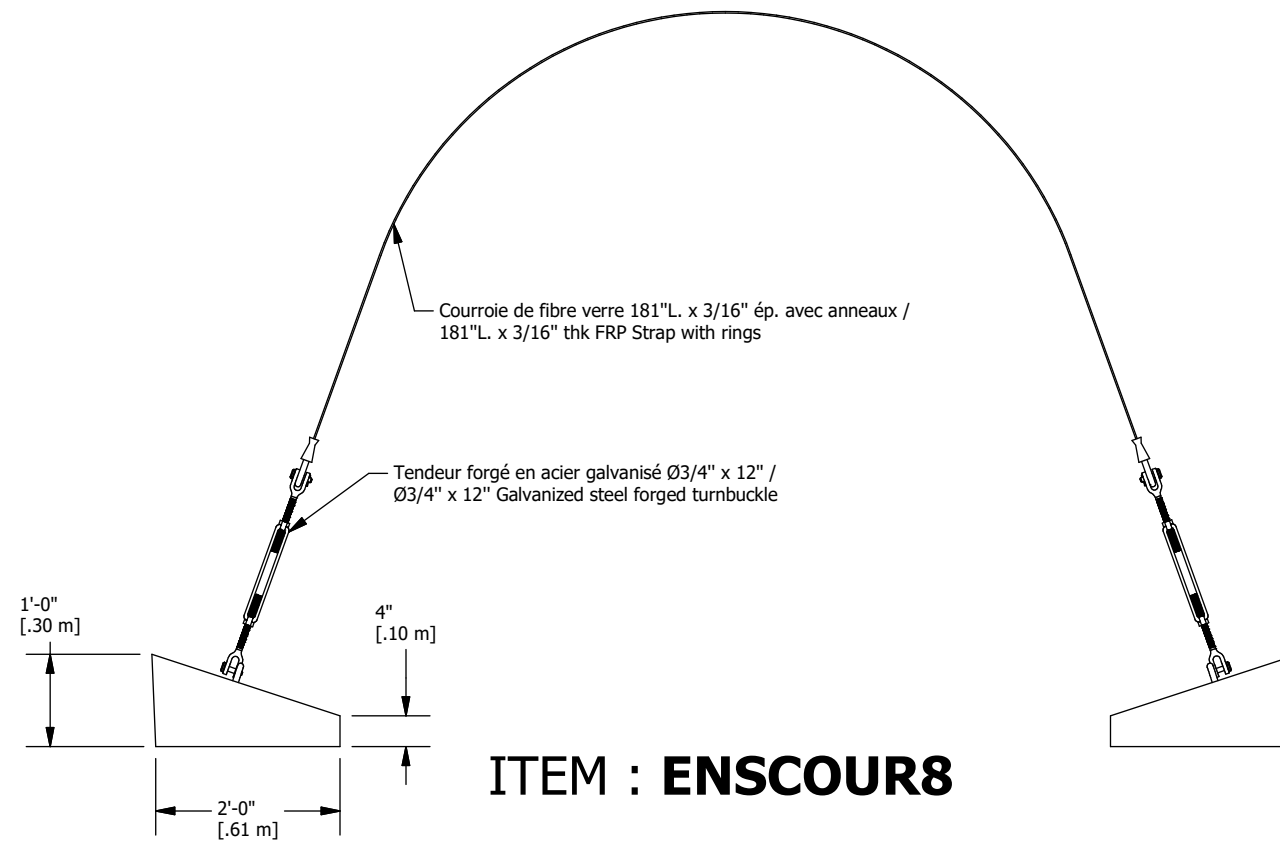
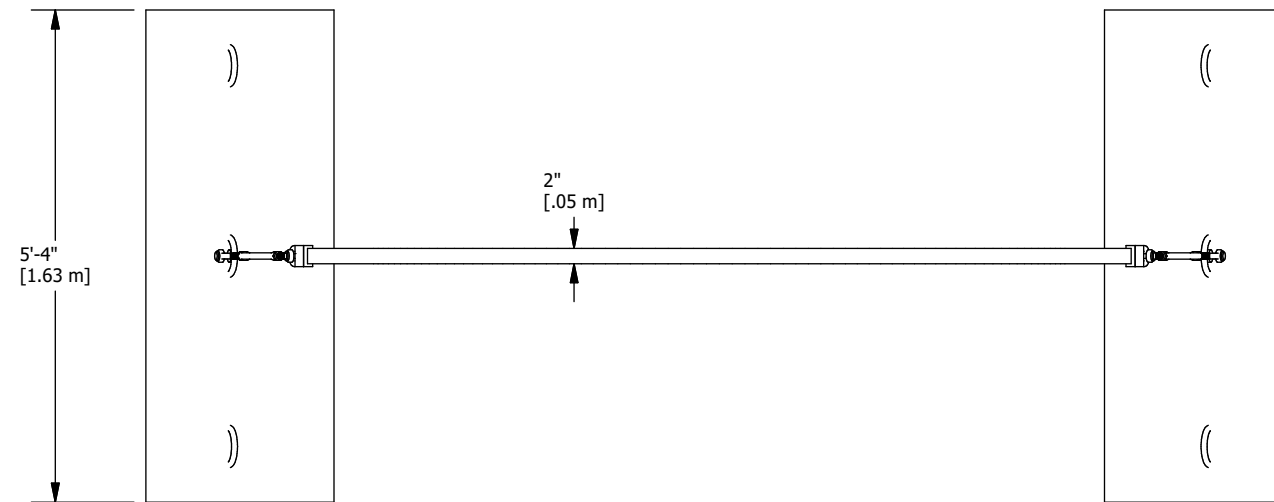
Informations techniques / Technical informations

- Profondeur d'enfouissement / Burrial depth: 48" / 1.219 m
- (Si requis) Quantité de courroies de fibre de verre avec attaches en acier galvanisé / (If required) Quantity of fiberglass anchoring straps : 8
- (Si requis) Quantité de blocs de béton armé / (If required) Quantity of reinforced concrete deadman anchors : 16
- Longueur minimale requise de la chaîne pour le levage à 60° / Minimum required length of the chain for the 60° lifting : 131" / 3.33 m

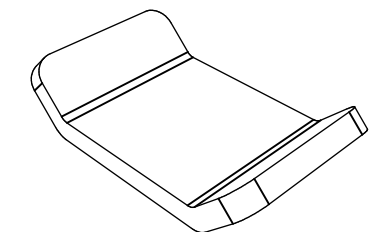
Le réservoir doit être installé selon les instructions du manufacturier. / The tank must be installed in accordance with the manufacturer's instructions.

Ce dessin est la propriété exclusive de Granby Composites Inc. Aucune partie de ce dessin ne peut être utilisée ou reproduite sans sa permission écrite.
This drawing is the exclusive property of Granby Composites Inc. No part of this drawing may be used or reproduced in any manner without its written permission.

| | | | | | |
|---|--|--|--|--|--|
| TOLERANCES (LINÉAIRES / LINEAR) 0 OR FRAC. (X/X) -> ± 1% 0.00 -> ± 0.25" 0.0 -> ± 0.5" 0.000 -> ± 0.125" | | Description de la révision / Revision description | | Granby Composites Inc. © 2018 Granby Composites Inc. | |
| TOLERANCES (ANGULAIRES / ANGULAR) 0 -> ± 2 DEG. 0.0 -> ± 0.5 DEG. 0.00 -> ± 0.1 DEG. | | Dessiné par / Drawn by S. Potvin | | 29/03/2018 | |
| Poids / Weight : 5288 Lb / 2398 Kg | | Approuvé par / Approved by : | | Format / Size / No de la pièce / Part no. REV B NN08420806 01 . | |
| Client Client | | Unités / Units Feuille / Sheet INCHES 1 / 1 | | Description / Title RÉSERVOIR 8' Dia. / 80645 L / 21304 gal US - TANK # Projet Projet | |



ITEM : ENSCOUR8



Guide de courroie en fibre de verre -
Fiberglass Strap Guide

Directement installé sur le réservoir -
Directly installed on the tank

Tendeur / Turnbuckle

- Forgé d'acier au carbone, galvanisé à chaud / Forged carbon steel, hot-dip galvanized
- Conformément aux spécifications américaines FF-T-791B Type 1, forme 1 (cage ouverte) / In accordance with US specifications FF-T-791B Type 1, Form 1 (open cage).
- Coefficient de sécurité 5:1 / Safety factor 5:1
- Testé à 5,200 Lbs / Working load 5,200 Lbs

Bloc de béton armé / Concrete deadman anchor

- Poids : 1,093 Lbs / Weight : 1,093 Lbs
- Renforcé d'acier galvanisé / Reinforced with galvanized steel

Courroie de fibre de verre / Fiberglass strap

- Fait de fibre de verre de haute qualité / High quality fiberglass
- Testé à 20,000 Lbs / Working load 20,000 Lbs
- Résistance maximale : 45,000 Lbs / Ultimate rated 45,000 Lbs
- Muni d'anneaux en acier galvanisé / Equipped with galvanized steel rings

| | | | |
|--|--------------------|---|--|
| Ce dessin est la propriété exclusive de Granby Composites Inc. Aucune partie de ce dessin ne peut être utilisée ou reproduite sans sa permission écrite. This drawing is the exclusive property of Granby Composites Inc. No part of this drawing may be used or reproduced in any manner without its written permission. | | | |
| TOLERANCES (LINÉAIRES / LINEAR) | | Description de la révision / Revision description | |
| 0 OR FRAC. (X/X) -> ±1% | 0.00 -> ±0.25" | | |
| 0.0 -> ±0.5" | 0.000 -> ±0.125" | | |
| TOLERANCES (ANGULAIRES / ANGULAR) | | Granby Composites Inc. | |
| 0 -> ± 2 DEG. | 0.00 -> ± 0.1 DEG. | © 2018 Granby Composites Inc. | |
| Poids / Weight : | | Format / Size No de la pièce / Part no. REV | |
| | | B ENSCOUR8 A. | |
| Client | | Description / Title | |
| Unités / Units Feuille / Sheet | | JEUX DE COURROIES ET BLOCS DE BÉTON - ANCHORING KIT | |
| INCHES / 0 | | # Projet | |



CHARTRE DE CAPACITÉ POUR RÉSERVOIR NN08420806
CAPACITY CHART FOR NN08420806 TANK

mars 27, 2018

| Hauteur (CM) | Volume (Litres) | Hauteur (CM) | Volume (Litres) | Hauteur (CM) | Volume (Litres) | Hauteur (CM) | Volume (Litres) | Hauteur (CM) | Volume (Litres) | Hauteur (CM) | Volume (Litres) | Hauteur (CM) | Volume (Litres) | Hauteur (CM) | Volume (Litres) | Hauteur (CM) | Volume (Litres) | Hauteur (CM) | Volume (Litres) | Hauteur (CM) | Volume (Litres) |
|--------------|-----------------|--------------|-----------------|--------------|-----------------|--------------|-----------------|--------------|-----------------|--------------|-----------------|--------------|-----------------|--------------|-----------------|--------------|-----------------|--------------|-----------------|--------------|-----------------|
| 0.5 | 13 | 22 | 3718 | 43.5 | 10116 | 65 | 18027 | 86.5 | 26883 | 108 | 36261 | 129.5 | 45791 | 151 | 55116 | 172.5 | 63862 | 194 | 71589 | 215.5 | 77696 |
| 1 | 37 | 22.5 | 3843 | 44 | 10286 | 65.5 | 18224 | 87 | 27097 | 108.5 | 36483 | 130 | 46012 | 151.5 | 55328 | 173 | 64055 | 194.5 | 71752 | 216 | 77812 |
| 1.5 | 68 | 23 | 3970 | 44.5 | 10456 | 66 | 18421 | 87.5 | 27311 | 109 | 36704 | 130.5 | 46232 | 152 | 55539 | 173.5 | 64247 | 195 | 71915 | 216.5 | 77926 |
| 2 | 104 | 23.5 | 4098 | 45 | 10627 | 66.5 | 18619 | 88 | 27525 | 109.5 | 36925 | 131 | 46453 | 152.5 | 55750 | 174 | 64439 | 195.5 | 72076 | 217 | 78038 |
| 2.5 | 145 | 24 | 4228 | 45.5 | 10799 | 67 | 18818 | 88.5 | 27739 | 110 | 37147 | 131.5 | 46673 | 153 | 55960 | 174.5 | 64631 | 196 | 72237 | 217.5 | 78149 |
| 3 | 191 | 24.5 | 4359 | 46 | 10971 | 67.5 | 19017 | 89 | 27954 | 110.5 | 37369 | 132 | 46893 | 153.5 | 56170 | 175 | 64822 | 196.5 | 72397 | 218 | 78258 |
| 3.5 | 240 | 25 | 4491 | 46.5 | 11145 | 68 | 19216 | 89.5 | 28169 | 111 | 37590 | 132.5 | 47113 | 154 | 56380 | 175.5 | 65012 | 197 | 72556 | 218.5 | 78366 |
| 4 | 293 | 25.5 | 4624 | 47 | 11319 | 68.5 | 19416 | 90 | 28384 | 111.5 | 37812 | 133 | 47333 | 154.5 | 56590 | 176 | 65202 | 197.5 | 72714 | 219 | 78472 |
| 4.5 | 350 | 26 | 4758 | 47.5 | 11493 | 69 | 19617 | 90.5 | 28600 | 112 | 38034 | 133.5 | 47552 | 155 | 56799 | 176.5 | 65391 | 198 | 72871 | 219.5 | 78577 |
| 5 | 409 | 26.5 | 4894 | 48 | 11669 | 69.5 | 19817 | 91 | 28816 | 112.5 | 38255 | 134 | 47772 | 155.5 | 57008 | 177 | 65580 | 198.5 | 73027 | 220 | 78680 |
| 5.5 | 472 | 27 | 5030 | 48.5 | 11845 | 70 | 20019 | 91.5 | 29032 | 113 | 38477 | 134.5 | 47991 | 156 | 57216 | 177.5 | 65768 | 199 | 73182 | 220.5 | 78781 |
| 6 | 537 | 27.5 | 5168 | 49 | 12022 | 70.5 | 20221 | 92 | 29248 | 113.5 | 38699 | 135 | 48210 | 156.5 | 57424 | 178 | 65955 | 199.5 | 73336 | 221 | 78881 |
| 6.5 | 606 | 28 | 5307 | 49.5 | 12200 | 71 | 20423 | 92.5 | 29464 | 114 | 38921 | 135.5 | 48430 | 157 | 57632 | 178.5 | 66142 | 200 | 73490 | 221.5 | 78978 |
| 7 | 676 | 28.5 | 5447 | 50 | 12378 | 71.5 | 20625 | 93 | 29681 | 114.5 | 39143 | 136 | 48648 | 157.5 | 57840 | 179 | 66328 | 200.5 | 73642 | 222 | 79074 |
| 7.5 | 750 | 29 | 5589 | 50.5 | 12558 | 72 | 20829 | 93.5 | 29898 | 115 | 39365 | 136.5 | 48867 | 158 | 58047 | 179.5 | 66514 | 201 | 73793 | 222.5 | 79168 |
| 8 | 826 | 29.5 | 5731 | 51 | 12737 | 72.5 | 21032 | 94 | 30115 | 115.5 | 39587 | 137 | 49086 | 158.5 | 58253 | 180 | 66699 | 201.5 | 73943 | 223 | 79260 |
| 8.5 | 904 | 30 | 5874 | 51.5 | 12918 | 73 | 21236 | 94.5 | 30332 | 116 | 39809 | 137.5 | 49304 | 159 | 58459 | 180.5 | 66883 | 202 | 74093 | 223.5 | 79351 |
| 9 | 984 | 30.5 | 6019 | 52 | 13099 | 73.5 | 21440 | 95 | 30550 | 116.5 | 40031 | 138 | 49522 | 159.5 | 58665 | 181 | 67066 | 202.5 | 74241 | 224 | 79439 |
| 9.5 | 1067 | 31 | 6164 | 52.5 | 13281 | 74 | 21645 | 95.5 | 30767 | 117 | 40253 | 138.5 | 49740 | 160 | 58871 | 181.5 | 67249 | 203 | 74388 | 224.5 | 79525 |
| 10 | 1152 | 31.5 | 6311 | 53 | 13464 | 74.5 | 21850 | 96 | 30985 | 117.5 | 40475 | 139 | 49958 | 160.5 | 59076 | 182 | 67432 | 203.5 | 74534 | 225 | 79609 |
| 10.5 | 1239 | 32 | 6459 | 53.5 | 13647 | 75 | 22056 | 96.5 | 31203 | 118 | 40697 | 139.5 | 50176 | 161 | 59280 | 182.5 | 67613 | 204 | 74680 | 225.5 | 79691 |
| 11 | 1328 | 32.5 | 6607 | 54 | 13831 | 75.5 | 22262 | 97 | 31422 | 118.5 | 40919 | 140 | 50393 | 161.5 | 59485 | 183 | 67794 | 204.5 | 74824 | 226 | 79770 |
| 11.5 | 1419 | 33 | 6757 | 54.5 | 14015 | 76 | 22468 | 97.5 | 31640 | 119 | 41141 | 140.5 | 50610 | 162 | 59688 | 183.5 | 67974 | 205 | 74967 | 226.5 | 79848 |
| 12 | 1511 | 33.5 | 6908 | 55 | 14200 | 76.5 | 22675 | 98 | 31859 | 119.5 | 41362 | 141 | 50827 | 162.5 | 59892 | 184 | 68154 | 205.5 | 75109 | 227 | 79923 |
| 12.5 | 1606 | 34 | 7059 | 55.5 | 14386 | 77 | 22882 | 98.5 | 32078 | 120 | 41584 | 141.5 | 51044 | 163 | 60095 | 184.5 | 68333 | 206 | 75250 | 227.5 | 79995 |
| 13 | 1703 | 34.5 | 7212 | 56 | 14572 | 77.5 | 23090 | 99 | 32297 | 120.5 | 41806 | 142 | 51261 | 163.5 | 60297 | 185 | 68511 | 206.5 | 75389 | 228 | 80065 |
| 13.5 | 1801 | 35 | 7366 | 56.5 | 14759 | 78 | 23298 | 99.5 | 32516 | 121 | 42028 | 142.5 | 51477 | 164 | 60499 | 185.5 | 68688 | 207 | 75528 | 228.5 | 80132 |
| 14 | 1901 | 35.5 | 7520 | 57 | 14947 | 78.5 | 23506 | 100 | 32735 | 121.5 | 42250 | 143 | 51693 | 164.5 | 60701 | 186 | 68865 | 207.5 | 75665 | 229 | 80197 |
| 14.5 | 2003 | 36 | 7676 | 57.5 | 15135 | 79 | 23714 | 100.5 | 32954 | 122 | 42472 | 143.5 | 51909 | 165 | 60902 | 186.5 | 69041 | 208 | 75802 | 229.5 | 80258 |
| 15 | 2107 | 36.5 | 7832 | 58 | 15324 | 79.5 | 23923 | 101 | 33174 | 122.5 | 42694 | 144 | 52125 | 165.5 | 61103 | 187 | 69217 | 208.5 | 75937 | 230 | 80317 |
| 15.5 | 2212 | 37 | 7990 | 58.5 | 15513 | 80 | 24133 | 101.5 | 33394 | 123 | 42915 | 144.5 | 52340 | 166 | 61303 | 187.5 | 69391 | 209 | 76071 | 230.5 | 80372 |
| 16 | 2319 | 37.5 | 8148 | 59 | 15703 | 80.5 | 24342 | 102 | 33614 | 123.5 | 43137 | 145 | 52555 | 166.5 | 61503 | 188 | 69565 | 209.5 | 76203 | 231 | 80424 |
| 16.5 | 2427 | 38 | 8307 | 59.5 | 15894 | 81 | 24552 | 102.5 | 33834 | 124 | 43359 | 145.5 | 52770 | 167 | 61702 | 188.5 | 69738 | 210 | 76335 | 231.5 | 80472 |
| 17 | 2537 | 38.5 | 8467 | 60 | 16085 | 81.5 | 24763 | 103 | 34054 | 124.5 | 43580 | 146 | 52985 | 167.5 | 61901 | 189 | 69910 | 210.5 | 76465 | 232 | 80516 |
| 17.5 | 2649 | 39 | 8628 | 60.5 | 16277 | 82 | 24973 | 103.5 | 34274 | 125 | 43802 | 146.5 | 53199 | 168 | 62099 | 189.5 | 70082 | 211 | 76594 | 232.5 | 80555 |
| 18 | 2762 | 39.5 | 8790 | 61 | 16469 | 82.5 | 25184 | 104 | 34494 | 125.5 | 44023 | 147 | 53413 | 168.5 | 62297 | 190 | 70252 | 211.5 | 76722 | 233 | 80589 |
| 18.5 | 2876 | 40 | 8953 | 61.5 | 16662 | 83 | 25396 | 104.5 | 34715 | 126 | 44244 | 147.5 | 53627 | 169 | 62494 | 190.5 | 70422 | 212 | 76848 | 233.5 | 80618 |
| 19 | 2992 | 40.5 | 9117 | 62 | 16855 | 83.5 | 25607 | 105 | 34936 | 126.5 | 44466 | 148 | 53841 | 169.5 | 62691 | 191 | 70592 | 212.5 | 76974 | 234 | 80638 |
| 19.5 | 3110 | 41 | 9281 | 62.5 | 17049 | 84 | 25819 | 105.5 | 35156 | 127 | 44687 | 148.5 | 54054 | 170 | 62888 | 191.5 | 70760 | 213 | 77097 | 234.5 | 80645 |
| 20 | 3228 | 41.5 | 9447 | 63 | 17244 | 84.5 | 26031 | 106 | 35377 | 127.5 | 44908 | 149 | 54267 | 170.5 | 63083 | 192 | 70927 | 213.5 | 77220 | | |
| 20.5 | 3349 | 42 | 9613 | 63.5 | 17439 | 85 | 26244 | 106.5 | 35598 | 128 | 45129 | 149.5 | 54480 | 171 | 63279 | 192.5 | 71094 | 214 | 77341 | | |
| 21 | 3470 | 42.5 | 9780 | 64 | 17634 | 85.5 | 26457 | 107 | 35819 | 128.5 | 45350 | 150 | 54692 | 171.5 | 63473 | 193 | 71260 | 214.5 | 77461 | | |
| 21.5 | 3593 | 43 | 9948 | 64.5 | 17830 | 86 | 26670 | 107.5 | 36040 | 129 | 45570 | 150.5 | 54904 | 172 | 63668 | 193.5 | 71425 | 215 | 77579 | | |

** LA PRÉCISION EST D'ENVIRON +/- 1%
PRECISION IS ABOUT +/- 1%